

High speed Test; Polarization; Sorting; & Reel Tapping - multifunction Inline – handler

This machine is designed with a set of high speed Vibrating Bowl & Linear Feeder to feed components into testing position automatically, then connected with a precision 24 positions turret that makes the high throughput become possible. It can be utilized as a testing marking (optional) and sorting handler with a very high throughput for SOD or SMD packages.

Throughput: *Up to 25,000 parts per hour. (Base on 80ms testing time).*

Component type: *All SOD; SMD; Chip Form packages.*

Power and dimensions:

Electricity: 220V AC, 6KVA.

Dimensions: 1850mm (H), 700mm (W), 700mm (L).

Weight: 800 Kg.

SOD High Speed Auto Test / Tapping Machine

Model No.: MT-SOD 123/323/523-TT24-**Chip 1206/0805/0603**

High speed Test, Polarization, Sorting & Tapping multifunction handler

This machine is designed with a set of high speed Vibrating Bowl & Linear Feeder to feed components into testing position automatically, then connected with a precision 24 positions turret that makes the high throughput become possible. It can be utilized as a testing marking (optional) and sorting handler with a very high throughput for SOD or SMD packages.

Throughput: Up to 25,000 parts per hour. (Base on 80ms testing time).

Component type: All discrete components of SOD; SMD; Chip form packages.

Power and dimensions:

Electricity: 220V AC, 6KVA.

Dimensions: 1850mm (H),
700mm (W), 700mm (L).

Weight: 800 Kg.

Mechanisms:

Bowl Feeder.

Vibrating Linear track.

Vacuum pick-up turret (24X).

TP, Polarity Test station.

Polarization station.

T1. (Kelvin probe design).

T2.

T3.

R1, Reject Bin 1.

R2, Reject Bin 2.

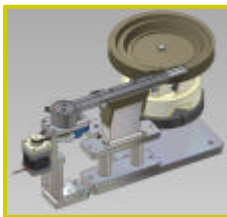
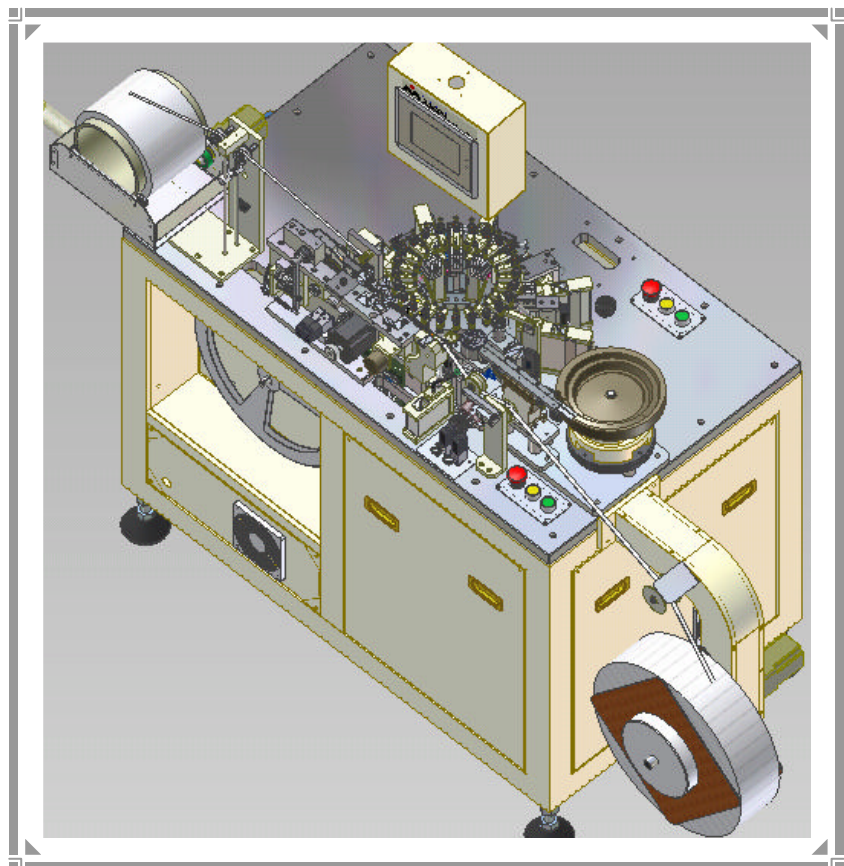
T4.

R3

R4

Tapping station.

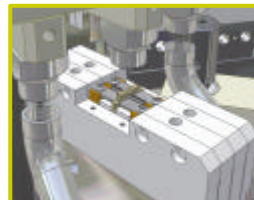
Optional CCD Inspection.



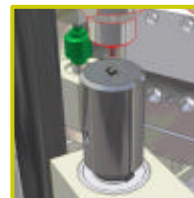
Feeding



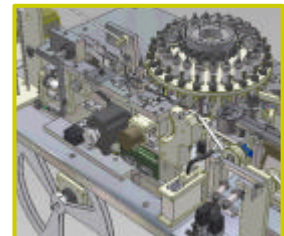
Positioning



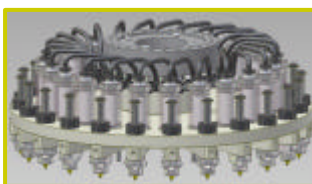
Test Station



Orientation



Tapping



Turret Head