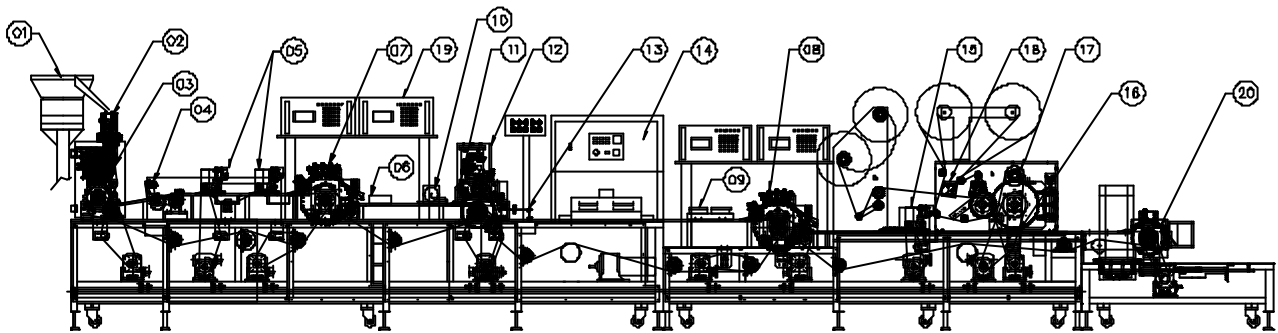




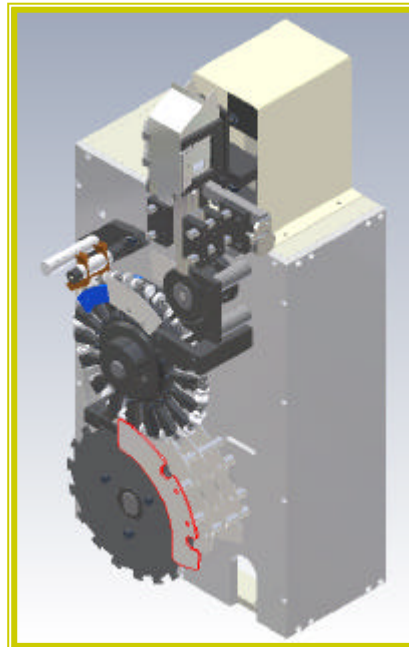
- Full automatic In-line polarizing / testing / marking / tapping for Non-magnet able plastic axial lead devices like DO41; DO15; DO27 packages... .
- Sophistic design of low noise cascade / chute feeding system; and unique polarizing mechanism.
- Strong and quiet Indexing mechanism driven In the testing station creates longest testing time and high throughput (1:3 index ratio 27k/hr based on 100ms test time).
- Microprocessor programming SOP circuit.
- Non-backlash gear design in the marking transmission unit shorten the down time for offset pad cleaning.
- Insulated and positive hot air circulation Infrared curing tunnel : low wattage; low heat and uniform curing.
- New designed Ink reservoir : reduced Ink consumption.
- Stepping motor driven tapping system.
- Copper tungsten test contact.
- Ceramic Insulated testing wheel.
- Stainless steel carry chain attachment.

T.M.T AUTO MACHINE MODEL NO: MT-TMT-41-27

項目 ITEM	部品名稱 DESCRIPTION	規格說明 SPECIFICATION	項目 ITEM	部品名稱 DESCRIPTION	規格說明 SPECIFICATION
1	振盪送料器 VIBRATING PARTS FEEDER	#460	11	印字檢測器 JAMMING DETECTOR	
2	下料漏斗 CASCADE CHUTE		12	印字標頭 MARKING HEAD	NON-BACKLASH TIMING BELT DRIVEN 每小時時速型
3	偏光檢測 POLARIZATION UNIT		13	印字標頭檢測 MARK INSPECTION CAMERA	選購品 OPTION
4	交叉檢測(輪徑檢出) JAMMING DETECTOR		14	紫外線燈 UV CURING	UCIA-321
5	第一及第二直線器 1ST & 2ND LEAD STRAIGHTENER		15	第三直線器 3RD LEAD STRAIGHTENER	
6	靜電刷 ANTI-STATIC CLEANING BRUSH	150 <sup>PH</sup> x10 <sup>PH</sup>	16	捲筒卸料器 SWITCHING UNIT OF REEL OR BALL PACKING	
7	第一直線器及亮電不良檢出 1ST TESTING STATION & TWO NG REJECT	4組測試片 4 SETS OF PROBE	17	切刀輪 CUTTING WHEEL	20% OR 02%
8	第二直線器及亮電不良檢出 2ND TESTING STATION & TWO NG REJECT	2組測試片(標準)4組測試片(輪孔測試) 2 SETS OF PROBE(STANDARD) 4 SETS OF PROBE(OPTION)	18	第三直線器 P.N. & SHORT FINAL INSPECTION OF REVERSE OR SHORT	
9	冷卻風扇 COOLING FAN		19	測試台 TESTING CONSOLE	選購品 OPTION
10	熱風吹風機 HOT AIR BLOWER	110~130℃ HOTAIR	20	集粉器 BULK PACKING	選購品 OPTION



MASTER MACHINERY CORPORATION



1fl, No. 2, Lane 11 Tzu-Chiang St. Tu-Cheng Industrial District, Tu-Cheng, Taipei Taiwan  
 Fax: 886-2-22682884 Phone: 886-2-22686030  
 萬世揚工業股份有限公司  
 台灣 台北縣 土城工業區自強街11巷2號1F